

3K Service Kit - Diaphragm Pump

Service kits are available for the 3K, 3KD, 3KQ, 3MD and 3MQ diaphragm pumps.

Kit includes:

- > 1 x diaphragm
- > 1 x valve plate with pre-assembled inlet and outlet valves
- > 2 x O-rings

1 kit required per pump head.

Part number of service kit depends on medium and elastomer:



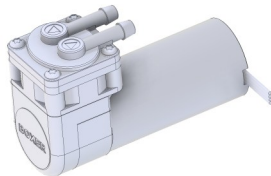
Medium	Elastomers	Part Number
Air / Gas	EPDM	3000.137
Air / Gas	Silicone ¹	3000.136
Air / Gas	FKM	3000.143
Liquid	EPDM	3000.139
Liquid	Silicone ¹	3000.138
Liquid	FKM	3000.144

¹ For silicone elastomer option, the diaphragm is EPDM

Instructions

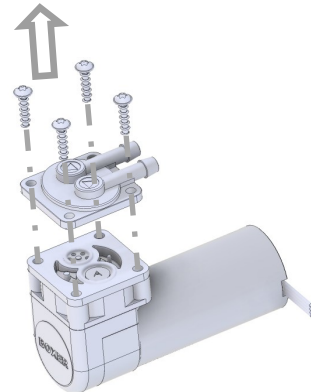
①

Pump: 3K, 3KD, 3KQ, 3MD, or 3MQ (3K shown in illustrations)



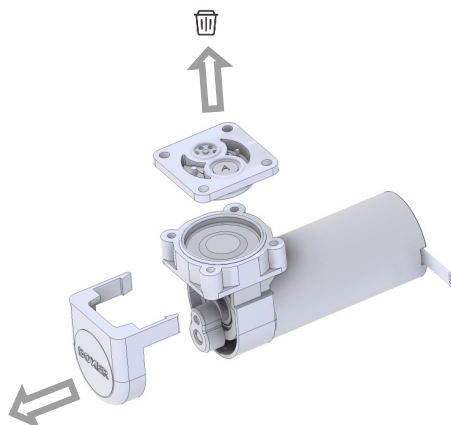
②

- Remove screws (TX20)
- Remove head plate



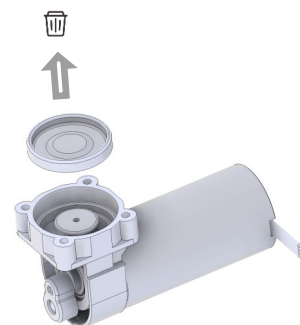
③

- Remove and discard valve plate
- Note O-ring positions (x2) in preparation for step 6, remove and discard them
- Remove cover



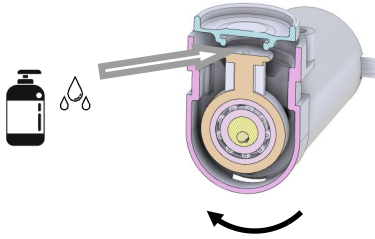
④

- Remove and discard the diaphragm



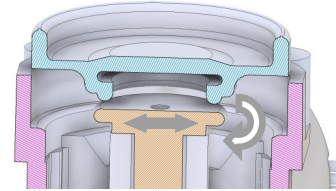
5

- Rotate the crank to the highest position
- Moisten the contact area with soapy water.



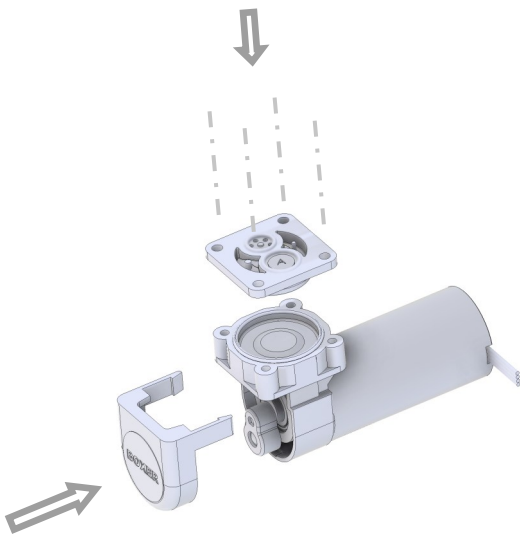
6

- Hold the crank in the middle position
- Pull the diaphragm carefully over the crank
- Ensure that the diaphragm is inserted all around the crank.



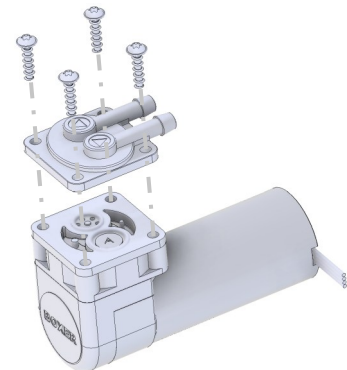
7

- Click the cover back into place
- Assemble new valve plate (note orientation to match head plate)



8

- Place O-rings (x2) in position (position noted from step 3)
- Mount the head plate
- Screws: find and use the pre-cut thread
- Tighten screws with a torque of 150Ncm (+20)



9

- Test the pump for performance and leakage

